



Hubbell brand W series pressure switches provide time tested, reliable control for automatic water systems. The switch is universally accepted for use as original equipment on water well pumps or pumping systems. Its simple design makes it easy to use for professionals and non-professionals alike.

GARD-ALL®

Switches combine the functions of a standard pressure switch with protection against low pressure. They prevent the pump from starting whenever the systems falls considerably below cut-in pressure. Upon restoration of the water supply, a manual reset lever is depressed until a build up of system pressure permits automatic operation.

Class 69W Switch

Standard Features Include:

- Corrosion resistant cover
- No wire looping
- Straight through wiring
- Visible contacts—2 pole, double throw
- No-drift pressure settings
- Captive cover screw
- Easy to adjust
- Two ratings—3 HP and 5 HP
- UL listed file #14861
- CSA certified file #LR36854

69W Water Systems

Min. Close Cut-In	Max. Open Cut-Out	Differential Range	Pressure Setting Adjustment Table	Horsepower				Factory Setting	NEMA 1 General Purpose Cat No.
				1 Phase		3 Phase			
				120V	240V	240V	480/600V		
5 psi	65 psi	15-30 psi	A	1.5	2.0	3.0	—	30-50	69WA4
5 psi	80 psi	15-30 psi	B	2.0	3.0	5.0	1.0	30-50	69WB5
3 psi	35 psi	6-15 psi	C	2.0	3.0	5.0	1.0	5-10	69WB3
1 psi	12 psi	3-5 psi	D	2.0	3.0	5.0	1.0	3-7	69WB2

69W with Low Pressure Cut-Off

Min. Close Cut-In	Max. Open Cut-Out	Differential Range	Pressure Setting Adjustment Table	Horsepower				Factory Setting	NEMA 1 General Purpose Cat No.
				1 Phase		3 Phase			
				120V	240V	240V	480/600V		
10 psi	70 psi	13-30 psi	Q	1.5	2.0	3.0	—	20-40	69WEC
10 psi	70 psi	13-30 psi	Q	2.0	3.0	5.0	—	20-40	69WFC

PSI Table A

Cut-In A	Cut-Out-B	
	Min.	Max.
5	15	35
10	21	40
20	32	50
30	43	60
40	53	65
50	64	65

PSI Table B

Cut-In A	Cut-Out-B	
	Min.	Max.
5	19	35
10	25	40
20	35	50
30	45	60
40	55	70
55	66	80
60	76	80
63	80	80

PSI Table C

Cut-In A	Cut-Out-B	
	Min.	Max.
3	9	18
5	11	20
10	16	25
15	21	30
20	26	35
25	31	40

PSI Table D

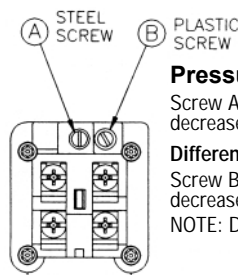
Cut-In A	Cut-Out-B	
	Min.	Max.
1	4	6
2	4.25	7.25
3	5.25	8.50
4	6.25	9.50
5	7.50	10.75
6	8.50	11.75

PSI Table Q

Cut-In A	Cut-Out-B	
	Min.	Max.
10	23	40
20	33	50
30	43	60
40	55	70

Electrical Ratings

Cat. No.	Control Circuit	Horsepower				
		1 Phase		3Phase		DC
		112V	240V	240V	480-600V	
69WA	A600	1.5	2.0	3.0	—	1/4
69WB	A600	2.0	3.0	5.0	1	1/2
69WE	A600	1.5	2.0	3.0	—	1/4
69WF	A600	2.0	3.0	5.0	—	1/3



Pressure Adjustment Settings

Screw A—Turn clockwise to increase and counterclockwise to decrease pressure range (both cut-in and cut-out).

Differential Adjustment

Screw B—Turn clockwise to increase and counterclockwise to decrease cut-out pressure.

NOTE: Differentials shown on tables above are averages only.

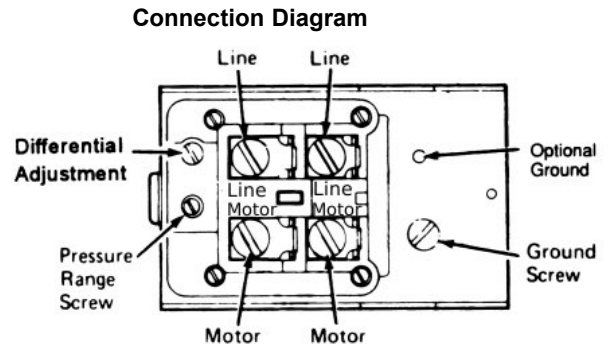
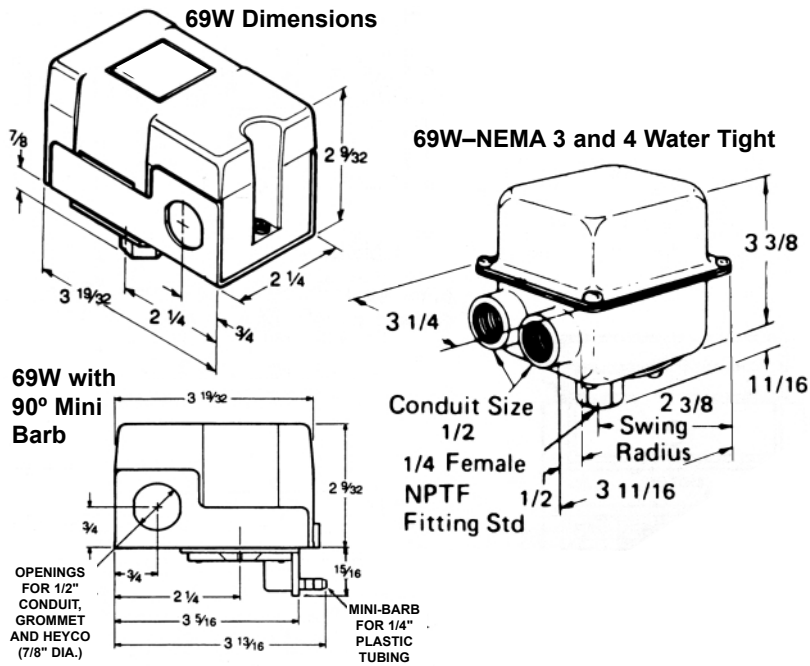


Application

69W Modifications

Description	Catalog Number Suffix Add suffixes in order shown		
Auto-off disconnect lever	L	No Minimum	
1/4" quick connects (load terminal only)	A	24 pc min	
Pulsation orifice	B	24 pc min	
Two rubber grommets for 1/2" conduit hole	G	24 pc min	
NEMA 3 outdoor weatherproof enclosure- <i>Cannot be used with auto-off disconnect switch</i>	W	No Minimum	
NEMA 4 watertight enclosure- <i>Cannot be used with auto-off disconnect switch</i>	X	No Minimum	
Pipe Fittings			
1/4" male NPT	2A	24 pc min	
90° mini barb for 1/4" plastic tube	2T	24 pc min	
Special pressure settings: Suffix Z is followed by setting Example: 69WA4Z2040	Z†	24 pc min	
1 NO and 1 NC contact Example: 69WD4	Change 4th character of Catalog Number to D		

† See Instruction Sheet included with switch for manual adjusting instructions.



Replacement Parts

Description	Cat No.
Grommets for 1/2" conduit hole	D00492001
Plastic pulsation plug	D20909001

